

ARTS™

**INSTALLATION
MANUAL**



M-173 FK | M-183 FK

CONTENTS

1 SPECIFICATIONS

- 1.1** DIMENSIONS
- 1.2** COMPONENTS
- 1.3** HEARTH & CLEARANCE REQUIREMENTS
- 1.4** THERMAL CLEARANCE TESTING

2 INSTALL INSTRUCTIONS

- 2.1** FREESTANDING
- 2.2** WALL MOUNTED
- 2.3** CHECKLIST

3 WARRANTY

4 FINAL WORDS

CONGRATULATIONS

Thank you for choosing an Artis fireplace for your living space.

Your fireplace is the result of careful design and quality manufactured from Spain. If properly installed, used and maintained, you will be sure to have an outstanding feature for years to come.

It is required that this fireplace be installed by a qualified and licensed trades professional. You will find in this guide, the answers to most of your questions, should you require further assistance please contact your retailer.

Please read carefully through this manual to ensure you are familiar with correct installation, use and maintenance.

To keep up to date with tips, tricks and products, follow us on social media:

Instagram: @ArtisFireplaces

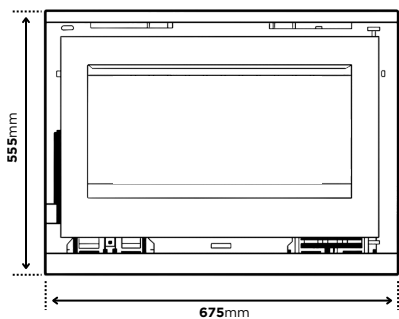
Facebook: @ArtisFireplaces

Thank you for choosing Artis Fireplaces, and we hope it brings you countless moments of warmth and joy in your home.

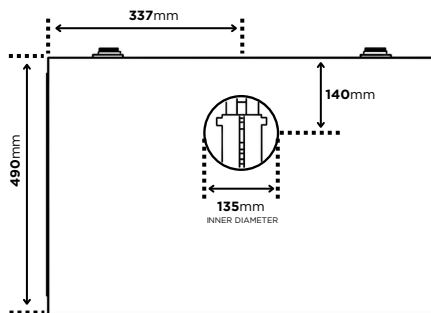
From all of us,

ARTIS™

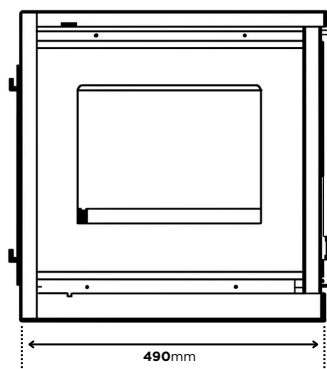
FRONT



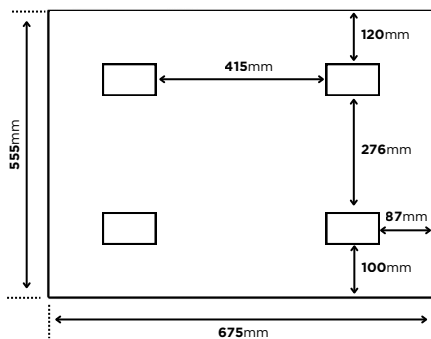
TOP



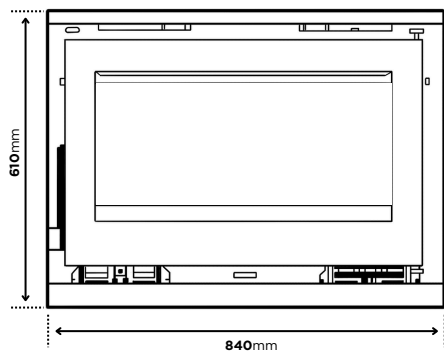
SIDE



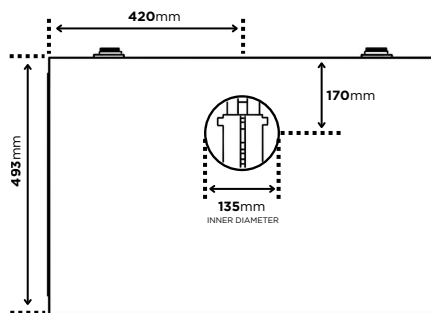
BACK



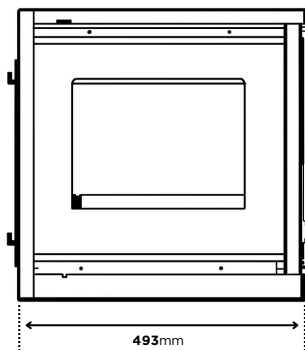
FRONT



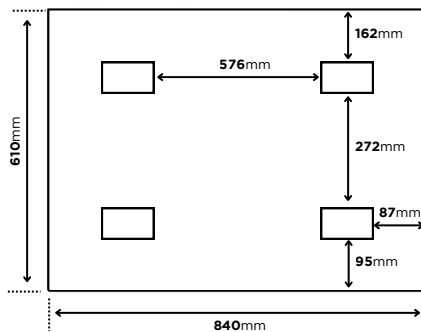
TOP



SIDE

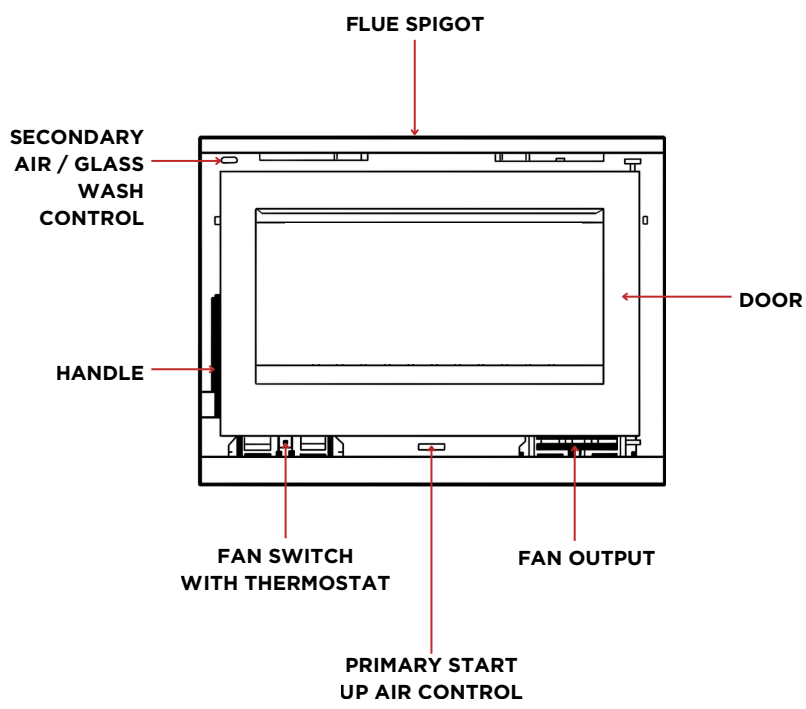


BACK

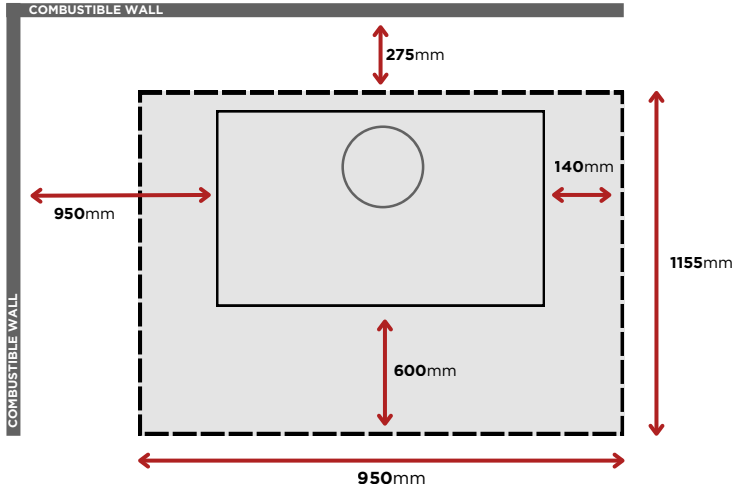


COMPONENTS

M-173 FK | M-183 FK



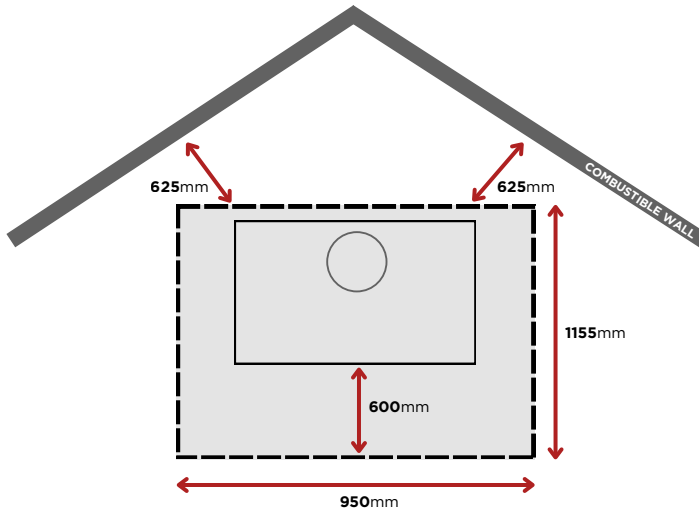
STRAIGHT WALL APPLICATION



HEARTH: 18MM MINIMUM THICKNESS

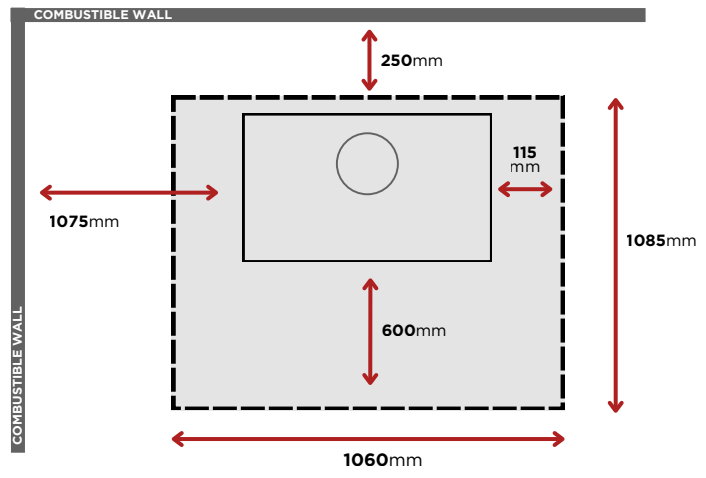
The rear wall clearance for Straight Wall Applications, can be reduced to 100mm when installed with 12mm compressed board 1280mm wide x 555mm high, raised 200mm above the floor as a wall protector, and an appliance rear heat shield 675mm wide x 555mm high x 1.2mm galvanised steel with a 20mm air gap fitted directly behind the appliance level, with the top plate and an additional 180° stainless steel rear flue shield fitted between the solid casing and the active flue from the top of the appliance to the drop box. The clearance of 100mm is measured from the appliance rear heat shield to the 12mm compressed board.

CORNER APPLICATION



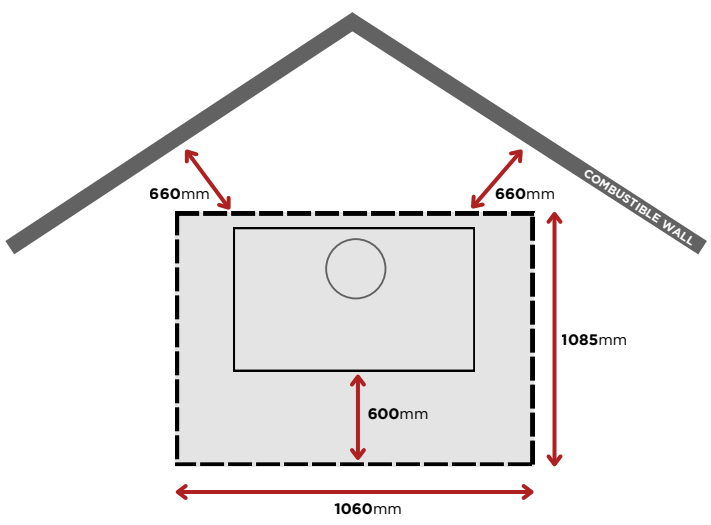
*Measurements shown above are the minimum clearances to a combustable surface / material and hearth requirements

STRAIGHT WALL APPLICATION



HEARTH: 50MM MINIMUM THICKNESS

CORNER APPLICATION



*Measurements shown above are the minimum clearances to a combustable surface / material and hearth requirements

ARTIS M-173 FK

The Artis 173 Free-Standing appliance installed with a Flo-met 6" triple skin flue system with a 8"solid casing was tested in two positions in a manner conforming to joint Australian/New Zealand Standard 2918:2018, Appendix B.

A minimum 1155mm deep x 945mm wide x 18mm thick floor protector (compressed board) should be used under and in front of the appliance base when installing the appliance (see joint AS/NZS 2918:2018 3.3.2). The floor protector should extend 600mm in front of the appliance door and be placed centrally in the 945mm width. The Thermal resistivity of the floor protector is $0.08\text{m}^2\cdot\text{K}/\text{W}$ for 18mm thick compressed board sheets.

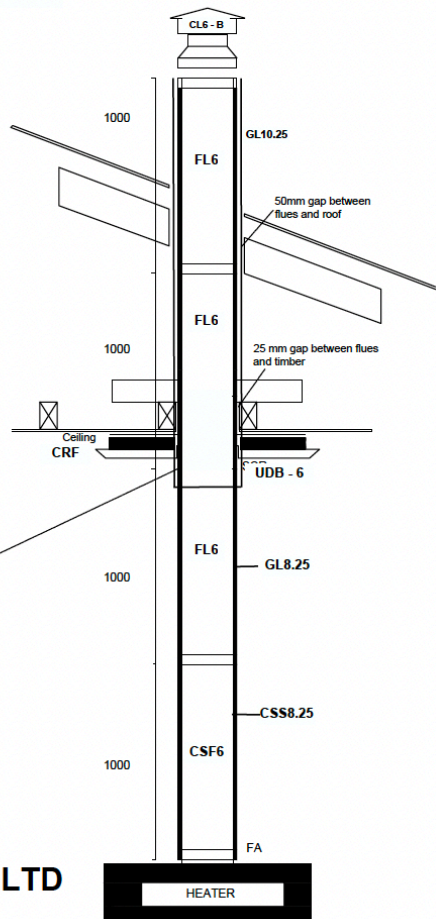
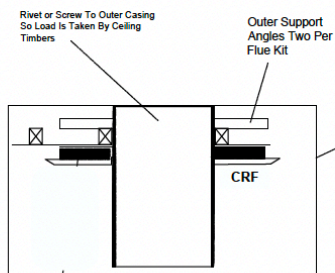
ARTIS M-183 FK

The Artis 183 Free-Standing solid fuel appliance installed with a Flo-met 6" triple skin flue system with a 8"solid casing conforms to the requirements of the joint AS/NZS 2918:2018 Standard, Appendix B

ARTIS RANGE FMC - 6" FLUE KIT

FLUE KIT COMPONENTS

	ITEM	QTY
CSF6	CUSTOM STARTER FLUE 6" FOR ARTIS RANGE - STAINLESS STEEL	1
CSS8.25	CUSTOM STARTER SHILED 8.25" FOR ARTIS RANGE - GAL STEEL POWDER COATED	1
FL6	STAINLESS STEEL FLUE PIPE 6"	3
GL8.25	GAL STEEL PIPE 8.25" - 2 OFF GAL STEEL PIPE 8.25" - DECRO SHIELD POWDER COATED 1 OFF	3
UDB - 6	UNIVERSAL DROP BOX 10.25 - POWDER COATING AND SPINNING CAP"	1
CRF	CEILING RING TO SUIT UNIVERSAL KIT - POWDER COATED	1
GL10.25	GAL STEEL PIPE 10.25"	1
CL6 - B	STANDARD COWL 6" - OPTION B	1
SA	STANDARD SUPPORTING ANGLES	2



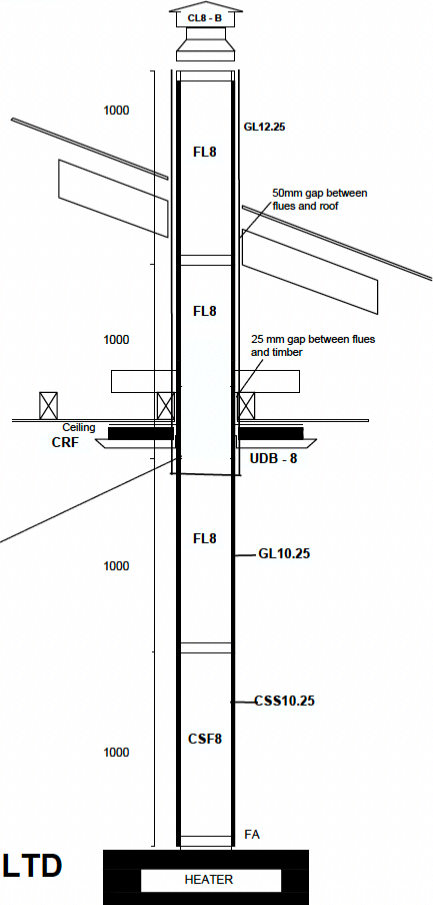
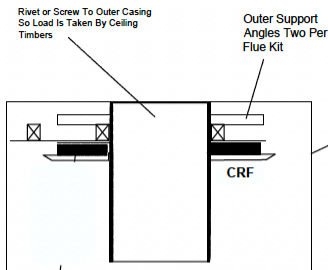
FLOMET AUSTRALIA PTY LTD

This appliance has been tested and approved for use with the flue system illustrated above. The flue system has been tested in accordance with Appendix B standards to ensure compliance and performance. Any modifications or use of alternative flue systems may impact performance and compliance. E&OE.

ARTIS RANGE FMC - 8" FLUE KIT

FLUE KIT COMPONENTS

ITEM	QTY	
CSF8	CUSTOM STARTER FLUE 8" FOR ARTIS RANGE - STAINLESS STEEL	1
CSS10.25	CUSTOM STARTER SHIELD 10.25" FOR ARTIS RANGE - GAL STEEL POWDER COATED	1
FL8	STAINLESS STEEL FLUE PIPE 8"	3
GL10.25	GAL STEEL PIPE 10.25" - 2 OFF GAL STEEL PIPE 10.25" - DECRO SHIELD POWDER COATED 1 OFF	3
UDB - 8	UNIVERSAL DROP BOX 12.25 - POWDER COATING AND SPINNING CAP	1
CRF	CEILING RING TO SUIT UNIVERSAL KIT - POWDER COATED	1
GL12.25	GAL STEEL PIPE 12.25"	1
CL8 - B	STANDARD COWL 8" - OPTION B	1
SA	STANDARD SUPPORTING ANGLES	2



FLOMET AUSTRALIA PTY LTD

This appliance has been tested and approved for use with the flue system illustrated above. The flue system has been tested in accordance with Appendix B standards to ensure compliance and performance. Any modifications or use of alternative flue systems may impact performance and compliance. E&OE.

All units MUST be installed to Australian & New Zealand Standard AS/NZS 2918:2018. When in use some parts may become hot. A suitable fire guard is recommended where young, elderly or infirm are concerned.

For the installation and use of this appliance, the technician and the user should strictly adhere to local and national regulations as well as AS/NZS 2918:2018. They should also comply with the instructions and recommendations detailed in this manual. The safety and operation of the fireplace is directly dependent there on. The liability of the manufacturer can neither be retained nor assured following failure of installation or incorrect use which does not comply local and national regulations as well as AS/NZS 2918:2018.

As each installation is a particular case, a qualified and licensed trades professional should take all required preliminary precautions depending on the technical elements inherent to each application. All appliances must be installed in a fixed position, within a well ventilated space, ensuring to maintain minimum safety clearance distances.

In-observance of the assembly instructions in conjunction with AS/NZS 2918:2018 entails the liability of the person who carries it out; whom must carry relevant and current licenses to do so.

As a result of faulty assembly, irrational use of parts or additional components that were not supplied by the manufacturer/distributor, and/or modifying of the appliance or components will result in inferior or unsafe operation. Should this occur the manufacturer/distributor bears no liability, and will result in a null and void product warranty.

This instruction manual must be left with the appliance owner, who should retain for future use.

For reasons of quality control, some of our appliances are delivered assembled. Parts including the firebricks, grill and baffle plate may need to be installed on site.

EXPOSURE TO ELEMENTS

FM Calefaccion fireplaces are exclusively designed as an indoor fireplace appliance. Should any part of the appliance be in contact with the outside elements including rain, snow, direct sunlight, excessive winds, etc; the damage sustained thereon will not be covered under the manufacturer or distributor warranty. Please consider prior to installing your fireplace exposed to outside elements.

ACCEPTABLE VARIANCE ALLOWANCE

Due to the production of these manufactured appliances, there is an acceptable allowance of 1-5mm variance on any part of the unit. This variance in production is non-claimable under any warranties.

HEAT RESISTANT MATERIALS

Heat resistant materials must meet AS/NZS 2918:2018 clause 1.4.27 a material with an allowable service temperature of 600° Celsius or greater. Gyprock Fyrecheck is NOT a recommended heat resistant material. It is strictly forbidden to use any combustible materials (ie: wooden framing, plaster, etc.) near or around this appliance. Any exception from this rule is a health and safety hazard which will result in a non-compliant installation and a void of warranties. Electrical cables and components must not be placed in the vicinity of the appliance, as it is a fire hazard.

IMPORTANT UNIT PRE-CHECK

Prior to unpacking and installation check that the appliance and all its components has not been damaged during transport. Ensure to check the glass, the door(s), the damper operation and the door locking mechanism.

It is the users duty to make themselves aware of and apply all national or more restrictive local standards and national regulations (AS/NZS 2918:2018).

It is strongly recommended that the licensed trade professional who is performing the installation of this appliance, completely read and understand all instructions in this manual prior to proceeding.

FAN POWER CONNECTION

The fan kit must always remain connected to power during use. Operating the fireplace with the fan disconnected may cause damage to the unit and will not be covered under the manufacturer or distributor warranty.

FAN CONTROL GUIDE

Position 0: Automatic Protection Mode. The fans stay off unless the safety thermostat senses excessive heat.

If the air channel reaches 50°C-55°C, the thermostat will automatically switch the fans on to protect the electrical components. When the temperature falls below 50°C, the fans will turn off again.

Position 1: Low Speed. The fans run continuously at a low speed.

Position 2: High Speed. The fans run continuously at a high speed.

QUALIFIED INSTALLATION

Installation and uninstallation of the unit must be carried out by qualified personnel. The manufacturer and distributor accept no responsibility for damage or injury resulting from incorrect installation.

Artis Fireplaces Pty Ltd & FM Calefaccion reserves the right to change these specifications without prior notice. The order of the steps indicated within this and any manuals provided by Artis Fireplaces Pty Ltd, are a recommendation only.

1**HEARTH**

Lay a solid non-combustible floor protector / hearth, minimum 18mm thick. The hearth should be laid on an adequate ground supporting its weight. Ensure the base is level. See page 7 & 8 for required dimensions.

2**POSITIONING**

Place the unit into a fixed position on top of the solid non-combustible floor protector / hearth. Ensure to maintain required safety clearances to combustible materials (see pages 7 & 8).

3**FLUE - PENETRATION**

Cut the required penetration hole in the desired position, in line with the flue spigot placement below.

4**FLUE - INSTALLATION**

Continue with triple skin flue into the roof cavity and extended above the roof line as per AS/NZ 2918:2018. A minimum of 4.6m total flue is required from the hearth / floor protection, to the cowl.

There must be a minimum of 50mm clearance around the outer triple skin flue to combustible materials.

You may also use a heat resistant sealant (i.e Firecork) to seal any gaps.

The flue must extend a minimum of 1m above the roof line and have a 3m diameter clearance from the top of the cowl to any objects in a horizontal direction. The flue must maintain a distance of 6 metres from any neighbouring property (refer AS/NZS 2918:2018 Section 4 Flue System Installation)

IMPORTANT

Please note the flue should not include more than two 45° bends. The angle of these bends cannot exceed more than 45° and can have no more than one length of 900mm flue between them.

5**FLUE - BRACING**

Fix the flue in place and attach cowl. If the area is high wind, ensure to fix the flue above the roof line with heavy duty bracing/ supports.

6**FLUE - SEALING**

Seal the flue penetration.

Above the roof: seal with dektite / versatile

Below the roof: cover the ceiling with a ceiling ring.

2.2 INSTALLATION

WALL MOUNTED

1

HEARTH

Lay a solid non-combustible floor protector / hearth, minimum 18mm thick. The hearth should be laid on an adequate ground supporting its weight. Ensure the base is level. See page 7 & 8 for required dimensions.

2

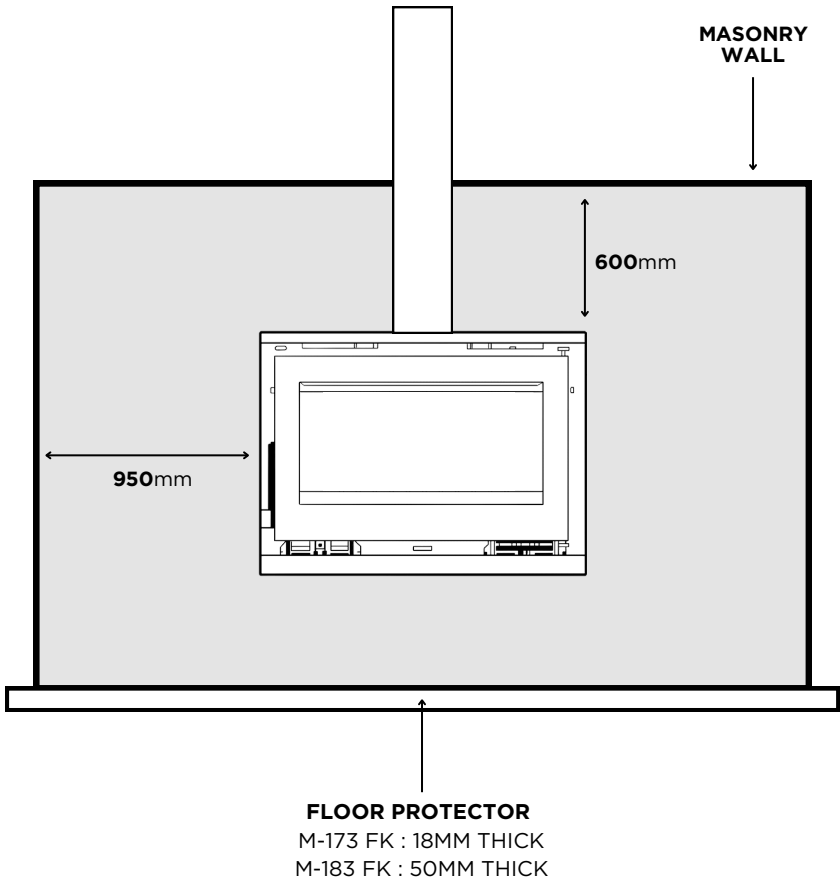
STRUCTURAL PREPARATIONS

- a. Verify that the designated stud wall, chosen for fireplace installation, is indeed load-bearing and possesses the necessary load-bearing capacity to support the weight of the appliance (see diagrams on page 15 & 16).
- b. The masonry wall intended for mounting the appliance must be tied securely with the load-bearing structure through the secure application of brick ties, fortifying the wall's structural integrity, ensuring sufficient support for the appliance.
- c. Assess the load-bearing capacity of the masonry wall, ensuring it meets or exceeds the stipulated minimum threshold of 250 kg. Additionally, verify that the wall must be constructed no less than 100mm of a non combustible material (e.g brick, hebel). See diagram on page 15.
- d. The masonry wall is required to extend a minimum of 950mm from the side of the fireplace and reach a minimum height of 600mm above the fireplace's top (see diagram on page 14).
- e. The masonry wall in which the fireplace will be suspended on must not be cladded or finished with combustible materials.

2.2 INSTALLATION

WALL MOUNTED

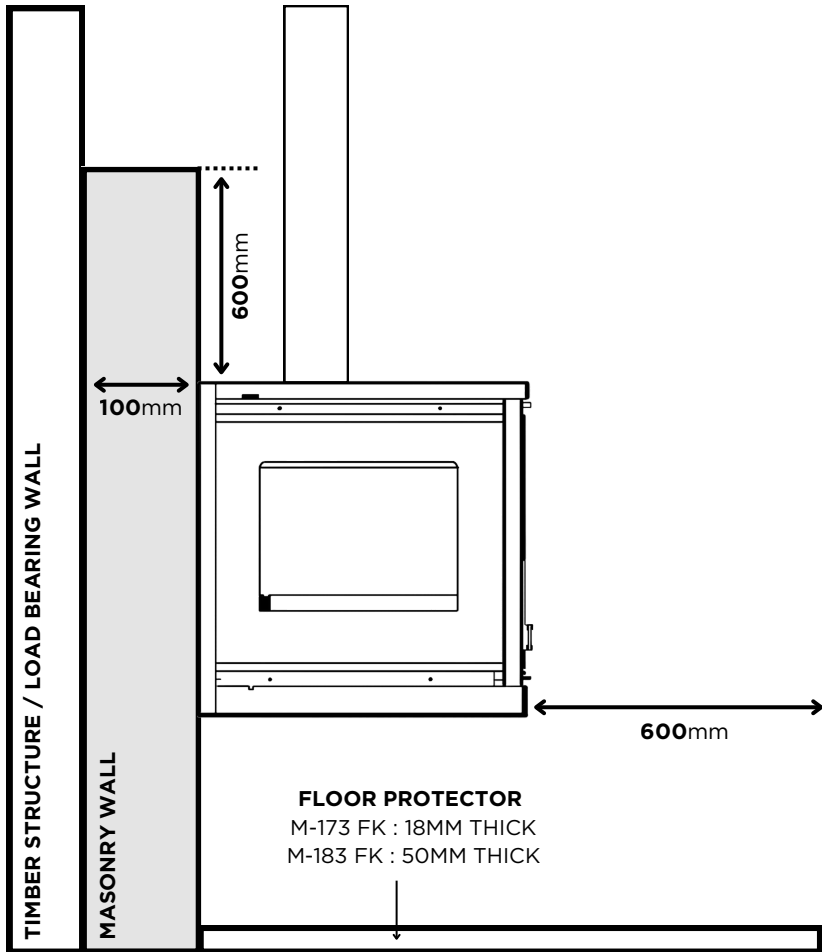
FRONT DIAGRAM



2.2 INSTALLATION

WALL MOUNTED

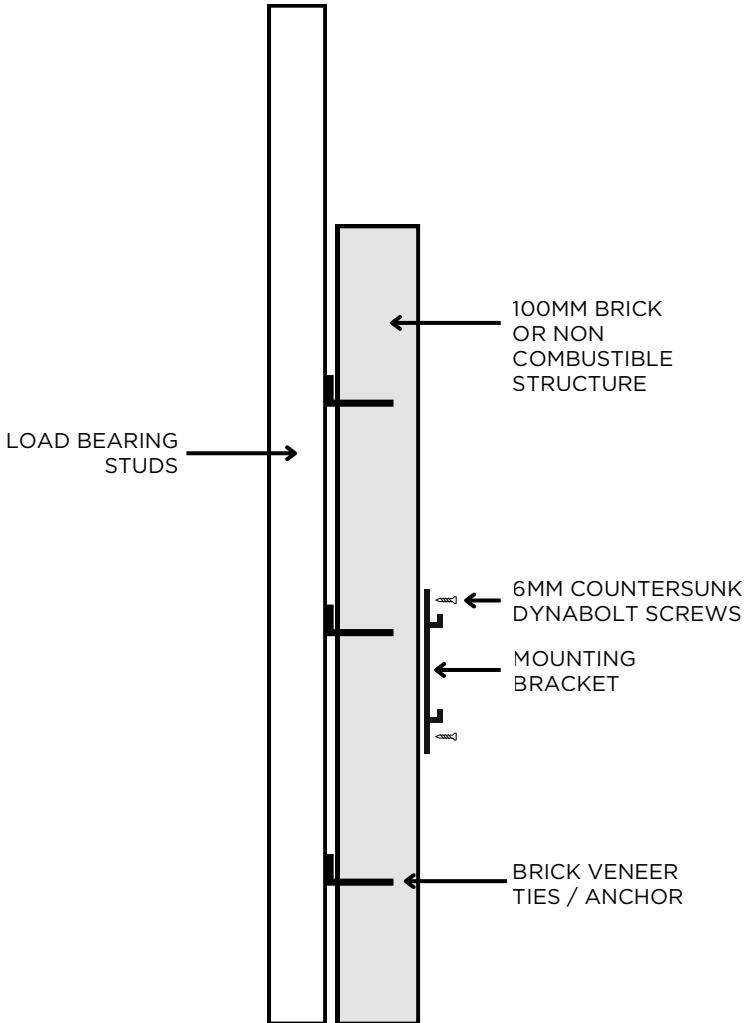
SIDE DIAGRAM



2.2 INSTALLATION

WALL MOUNTED

STRUCTURE : DETAILED DRAWING



2.2 INSTALLATION

WALL MOUNTED

3 INSTALLATION OF MOUNTING BRACKETS

- a. Determine the ideal placement for the fireplace on the masonry wall, ensuring level alignment with a spirit level
- b. With a masonry drill, create pilot holes for the dynabolts (6mm). The dynabolts must be countersunk.
- c. The depth of these holes must also adequately accommodate the dynabolts in its entirety
- d. Fix the mounting brackets to the masonry wall with 6 dynabolts ensuring they are firmly in place.

4 FIXING THE FIREPLACE

- a. Unscrew bolts and remove rear heat shield from the fireplace.
- b. Carefully position the fireplace onto the mounting brackets, ensuring it is seated securely and level.
- c. Lift and fasten the fireplace to hook onto the mounting brackets.
- d. Double-check alignment and stability post-fixation, verifying it is securely attached to the mounting brackets and the wall.

5 FLUE - FIRST LENGTH

Place the first single skin length of flue (with no crimp ends) around the outside of the spigot. You may also use a heatproof sealant (i.e. Firecork, mastic) with a heat resistance above 800° to seal any air gaps.

2.2 INSTALLATION

WALL MOUNTED

6

FLUE - PENETRATION

Cut the required penetration hole in the desired position, in line with the flue spigot placement below.

7

FLUE - INSTALLATION

Continue with triple skin flue into the roof cavity and extended above the roof line as per AS/NZ 2918:2018. A minimum of 4.6m total flue is required from the hearth / floor protection, to the cowl.

There must be a minimum of 50mm clearance around the outer triple skin flue to combustible materials.

The flue must extend a minimum of 1m above the roof line and have a 3m diameter clearance from the top of the cowl to any objects in a horizontal direction. The flue must maintain a distance of 6 metres from any neighbouring property (refer AS/NZS 2918:2018 Section 4 Flue System Installation)

IMPORTANT

Please note the flue should not include more than two 45° bends. The angle of these bends cannot exceed more than 45° and can have no more than one length of 900mm flue between them.

8

FLUE - BRACING

Fix the flue in place and attach cowl. If the area is high wind, ensure to fix the flue above the roof line with heavy duty bracing/ supports.

9

FLUE - SEALING

Seal the flue penetration.
Above the roof: seal with dektite / versatile
Below the roof: cover the ceiling with a ceiling ring.

All installation steps have been read, understood and followed. Installation has been completed as per local regulations and industry standard AS/NZS 2918:2018

All components are present (refer to page 6)

All moveable components (ie- door, flue damper control & air slides) are operational and move freely without obstruction

No combustible materials left inside any section of unit, or within combustible clearance area (refer to page 5)

Built-in fan connection inspected and confirmed operational and connected to power

Smoke test has been performed and passed

Operational Instructions / user guide has been given to customer and explained

Installed By:

.....

Date:

.....

Unit Model:

.....

Serial Number:

.....

Compliance Certificate:

.....

WARRANTY

INCLUSIONS & EXCLUSIONS

ITEM	DURATION
Fireplace Firebox	5 year Repair or Replacement only on Firebox

*Effective from date of purchase

WARRANTY CLAIM REQUIREMENTS

- Proof Of Purchase
- Serial Number
- Photos / Videos Of Fault
- Compliance Certificate
- Installation Details (Date & Installer)

EXCLUSIONS:

- Consumable Components (Glass, Baffle Plate, Thermometer, Ropes, Gaskets, Door Seal, Moveable Parts, Ash Pan, Log Holder, Fire Grate, Door Handle, Adjustment Controls etc.)
- Cost of Removal / Installation of defective appliance
- Incorrect use (i.e. Over-firing, Improper Materials)
- Incorrect Installation (i.e. Non-Compliant application, non-professional) - as per instructions, industry standard Australian & New Zealand Standards AS/NZS 2918:2018, AS/NZS 4012/4013(2014) and all applicable local installation regulations
- Damage caused by improper fan connection or operation
- Issues arising from unqualified installation or removal
- Rust / Corrosion damage caused by environmental factors
- Faults due to improper / irregular maintenance
- Modifications made to any part of the appliance which is not provided by the manufacturer or supplier
- Indirect damages (i.e. handling accident)
- Resold units

This manual is at times updated, to view the latest version please refer to the Support section of the Artis Fireplaces website (artisfireplaces.com.au).

All dimensions shown are approximate. Check all dimensions accurately prior to installation.

All images and diagrams in this manual are for installation reference purposes only and are not to scale or precise. Check all dimensions prior to installation.

In line with our policy of continuous improvement, we reserve the right to alter this manual and anything described within it without notice. The distributor and manufacturer bears no accuracy of these images and accepts no liability. The purpose of these images and diagrams is to act as a guide in conjunction with the written components and are NOT to instruct independently.

Whilst every effort is taken to avoid errors, Artis Fireplaces Pty Ltd and the manufacturer cannot accept responsibility for the accuracy of any statement, extract or information contained within this manual nor can any of its contributors who have submitted material for inclusion. E&OE



ARTSTM

artisfireplaces.com.au

info@artisfireplaces.com.au

1300 851 304

11.25
V7