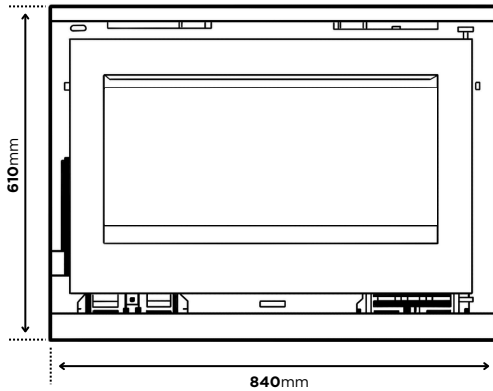




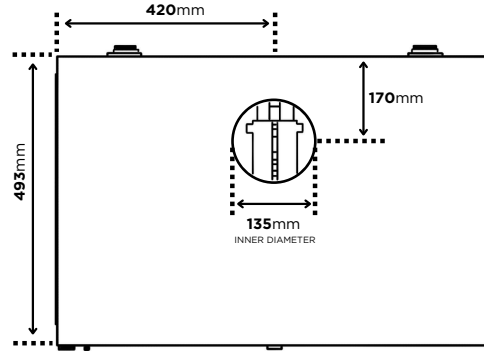
## M 183 - FK

The Artis Fireplace, **M-183 FK** is a grand addition to any space. Crafted in Spain, this masterpiece boasts three glass sides for immersive viewing, internal cast iron liners, and the flexibility of freestanding or wall-mounted installation. With enhanced size and heating capacity, it promises to be the focal point of your home. Equipped with thermostatically controlled axial fans, triple combustion, and a clean glass system, it ensures efficient heat distribution and a crystal-clear view of the flames. Elevate your space with the Artis M-183 FK.

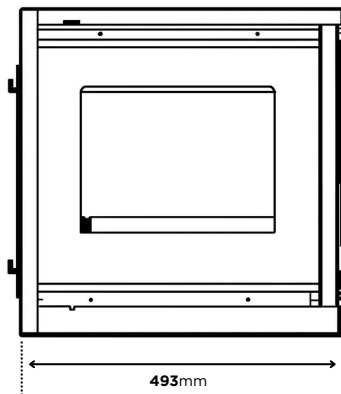
**FRONT**



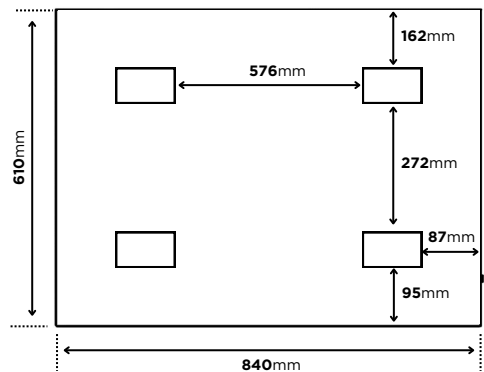
**TOP**



**SIDE**



**BACK**

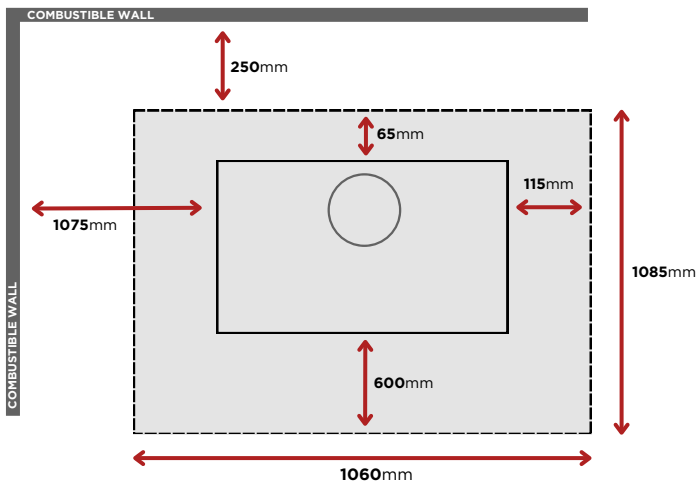


<b>MATERIALS</b>	STEEL, CAST IRON
<b>KW OUTPUT</b>	20 KW
<b>EFFICIENCY</b>	62% AVERAGE   67% LOW BURN
<b>EMISSIONS</b>	0.6 G/KG
<b>HEATING CAPACITY</b>	150 M2 - 230 M2*

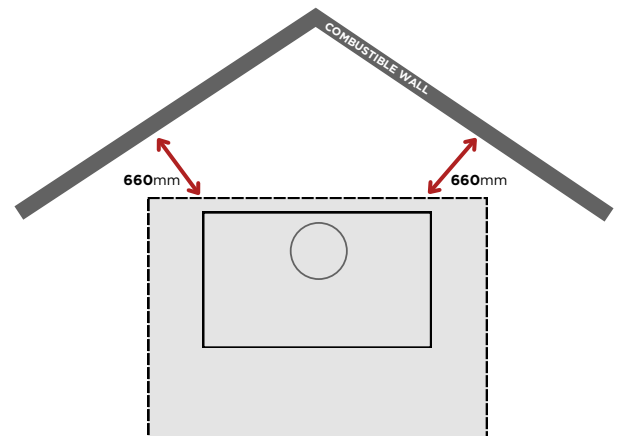
<b>MINIMUM FLUE HEIGHT</b>	4.5 M (FROM HEARTH)
<b>FLUE SIZE</b>	150MM
<b>OUTSIDE AIR KIT</b>	OPTIONAL EXTRA
<b>WARRANTY</b>	5 YEARS **
<b>WEIGHT</b>	135 KG

## CLEARANCE AND HEARTH GUIDE

### STRAIGHT WALL APPLICATION



### CORNER APPLICATION



\* Heating capacity of the following appliances are a guide only and refers to areas with 2.4m ceilings and 6 or more star rated buildings. Heating output may vary depending on factors such as characteristics, quality of insulation, type of firewood used and climate zone. \*\* See warranty section in the installation manual for further details. \*\*\* Refer to the Installation Manual for full hearth dimensions and clearances.

**Disclaimer:** E&OE Images and diagrams are for illustration purposes only. Please note that all product measurements provided are approximate and may vary by 1-5 mm. Artis reserves the right to change these specifications without prior notice. This information does not replace the installation manual which provides more in depth information. Must be installed as per Australian & New Zealand standards AS/NZS 2918:2001. All rights retained ©Copyright 2025 Artis Fireplaces Pty Ltd (ABN 45 161 435 829)