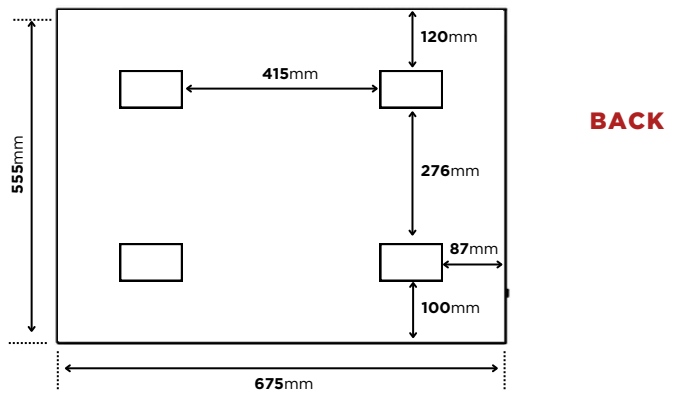
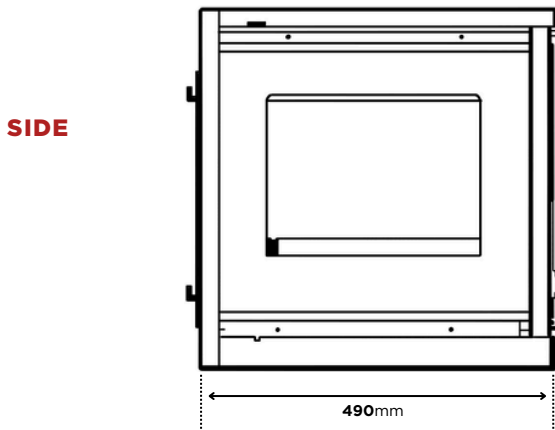
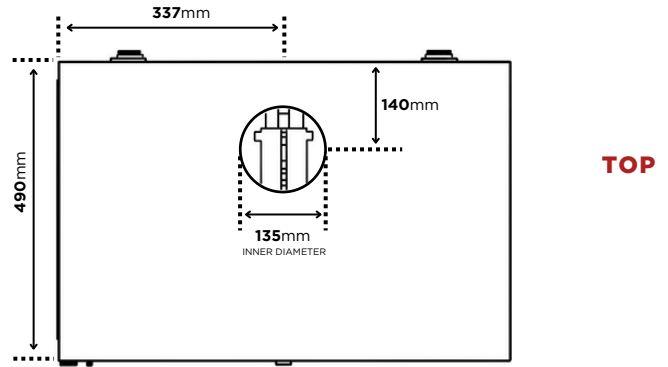
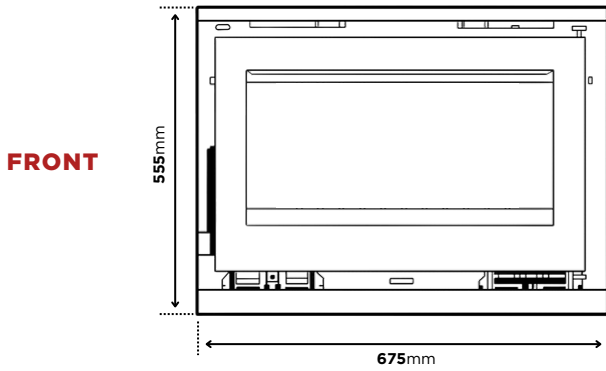




M 173 - FK

Introducing the Artis **M-173 FK** wood fireplace, crafted in Spain. With three glass sides for optimal viewing, internal cast iron liners, and versatile installation options, it offers both elegance and functionality. Featuring thermostatically controlled axial fans and triple combustion it ensures efficient heat distribution and a clear view of the mesmerising flames. Redefine your living space with the Artis Fireplace Range M-173 FK.

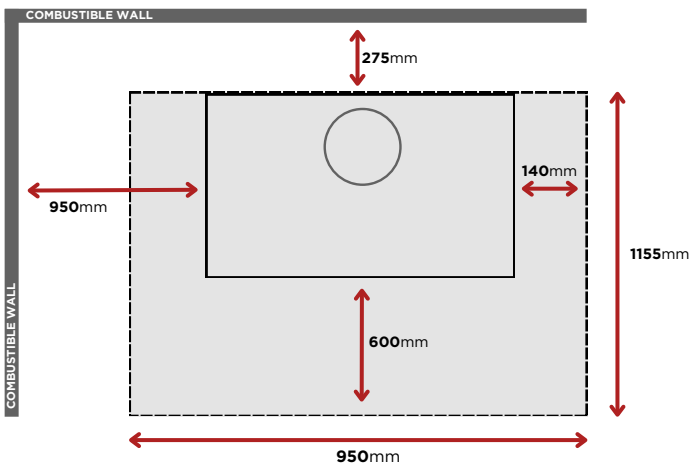


MATERIALS STEEL, CAST IRON
KW OUTPUT 14.5 KW
EFFICIENCY 64% AVERAGE | 71% LOW BURN
EMISSIONS 0.7 G/KG
HEATING CAPACITY 100 M2 - 200 M2*

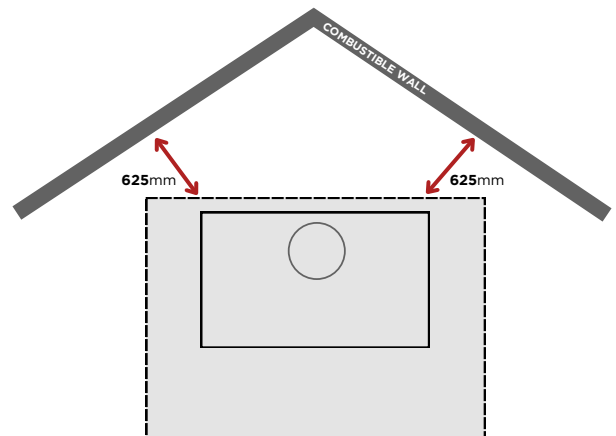
MINIMUM FLUE HEIGHT 4.5 M (FROM HEARTH)
FLUE SIZE 150MM
OUTSIDE AIR KIT OPTIONAL EXTRA
WARRANTY 5 YEARS **
WEIGHT 120 KG

CLEARANCE AND HEARTH GUIDE

STRAIGHT WALL APPLICATION



CORNER APPLICATION



* Heating capacity of the following appliances are a guide only and refers to areas with 2.4m ceilings and 6 or more star rated buildings. Heating output may vary depending on factors such as characteristics, quality of insulation, type of firewood used and climate zone. ** See warranty section in the installation manual for further details. *** Refer to the Installation Manual for full hearth dimensions and clearances.

Disclaimer: E&OE Images and diagrams are for illustration purposes only. Please note that all product measurements provided are approximate and may vary by 1-5 mm. Artis reserves the right to change these specifications without prior notice. This information does not replace the installation manual which provides more in depth information. Must be installed as per Australian & New Zealand standards AS/NZS 2918:2001. All rights retained ©Copyright 2025 Artis Fireplaces Pty Ltd (ABN 45 161 435 829)