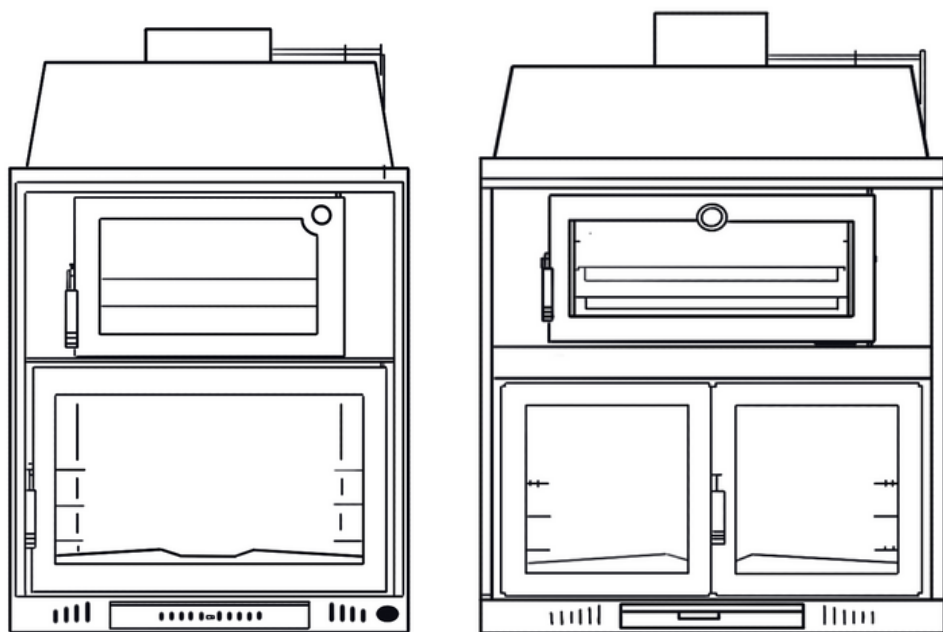


# ARTS™

## INSTALLATION MANUAL



**BH OVEN SERIES**

**80 | 100**

# CONTENTS

## **1** SPECIFICATIONS

- 1.1** DIMENSIONS
- 1.2** COMPONENTS
- 1.3** HEARTH REQUIREMENTS
- 1.4** CLEARANCES

## **2** INSTALL INSTRUCTIONS

- 2.1** INBUILT
- 2.2** CHECKLIST

## **3** WARRANTY

## **4** FINAL WORDS

# CONGRATULATIONS

Thank you for choosing an Artis barbeque for your outdoor living space.

Your barbeque is the result of careful design and manufacture from Spain. If it is properly installed, used and maintained, you will be sure to have an outstanding backyard feature for years to come.

It is recommended that this barbeque be installed by a qualified and licensed trades professional. You will find in this guide the answers to most of your questions, should you require further assistance please contact your retailer.

Please read carefully through this manual to ensure you are familiar with correct installation, use and maintenance.

To keep up to date with tips & tricks, recipes and products, follow us on social media:

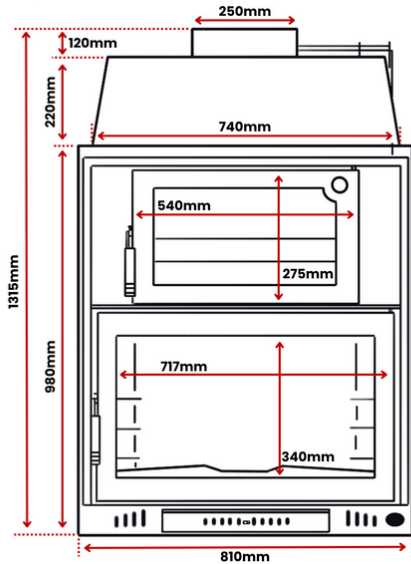
Instagram: @ArtisFireplaces

Facebook: @ArtisFireplaces

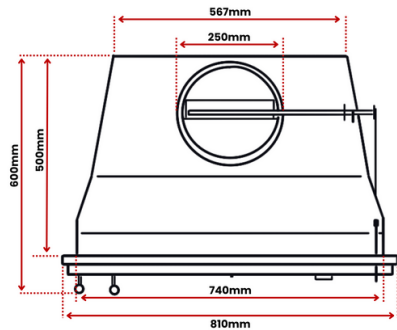
We hope you enjoy your new outdoor entertaining showpiece and are sure to become a grill master

From all of us,  
Artis

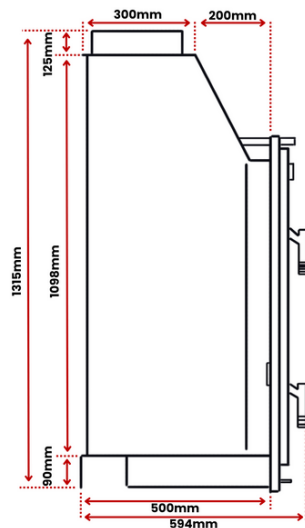
FRONT



TOP



SIDE

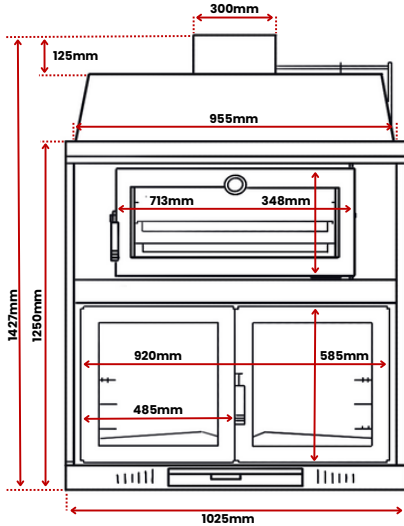


<b>Material</b>	High Quality Welded Steel
<b>Airflow</b>	Dual airflow control (top damper & bottom air slide)
<b>Finish</b>	Black anticaloric paint: 800°c
<b>Weight</b>	140kg
<b>Inclusions</b>	Precision Temperature Gauge Vitroceramic Glass Doors Removable Ash Tray Drawer Stainless Steel BBQ Grill Stainless steel tray (500mm x 350mm) Additional Paint Can Heat Resistant Glove

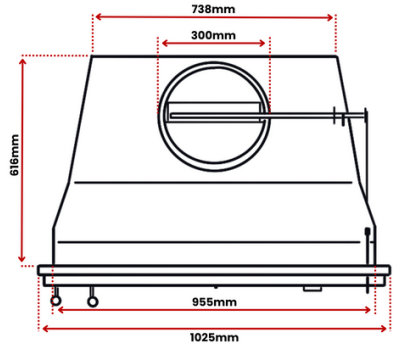
# SPECIFICATIONS

BH OVEN SERIES 100

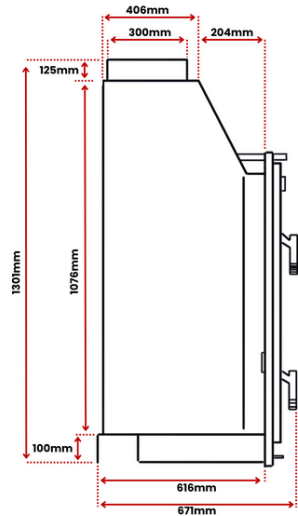
FRONT



TOP



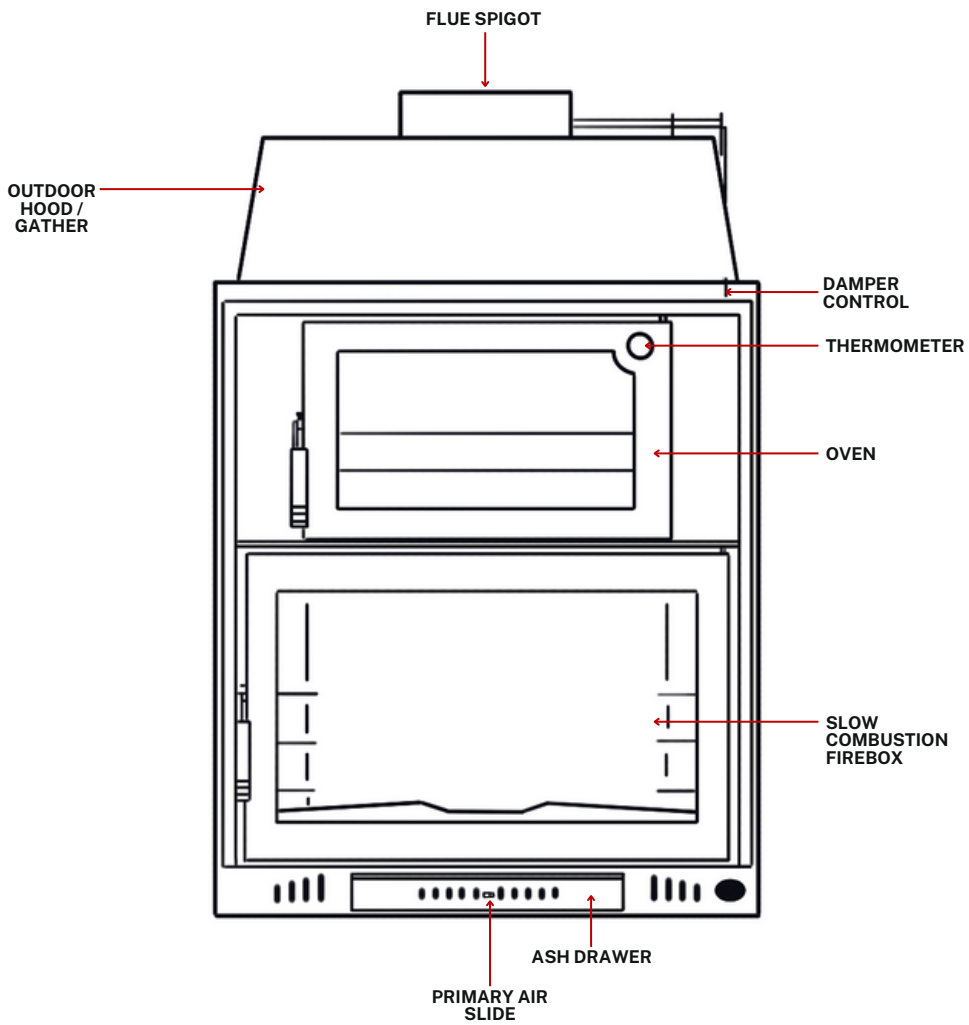
SIDE



<b>Material</b>	High Quality Welded Steel
<b>Airflow</b>	Dual airflow control (top damper & bottom air slide)
<b>Finish</b>	Black anticaloric paint: 800°C
<b>Weight</b>	182kg
<b>Inclusions</b>	Precision Temperature Gauge Vitroceramic Glass Doors Removable Ash Tray Drawer Stainless Steel BBQ Grill Stainless steel tray (600mm x 400mm) Additional Paint Can Heat Resistant Glove

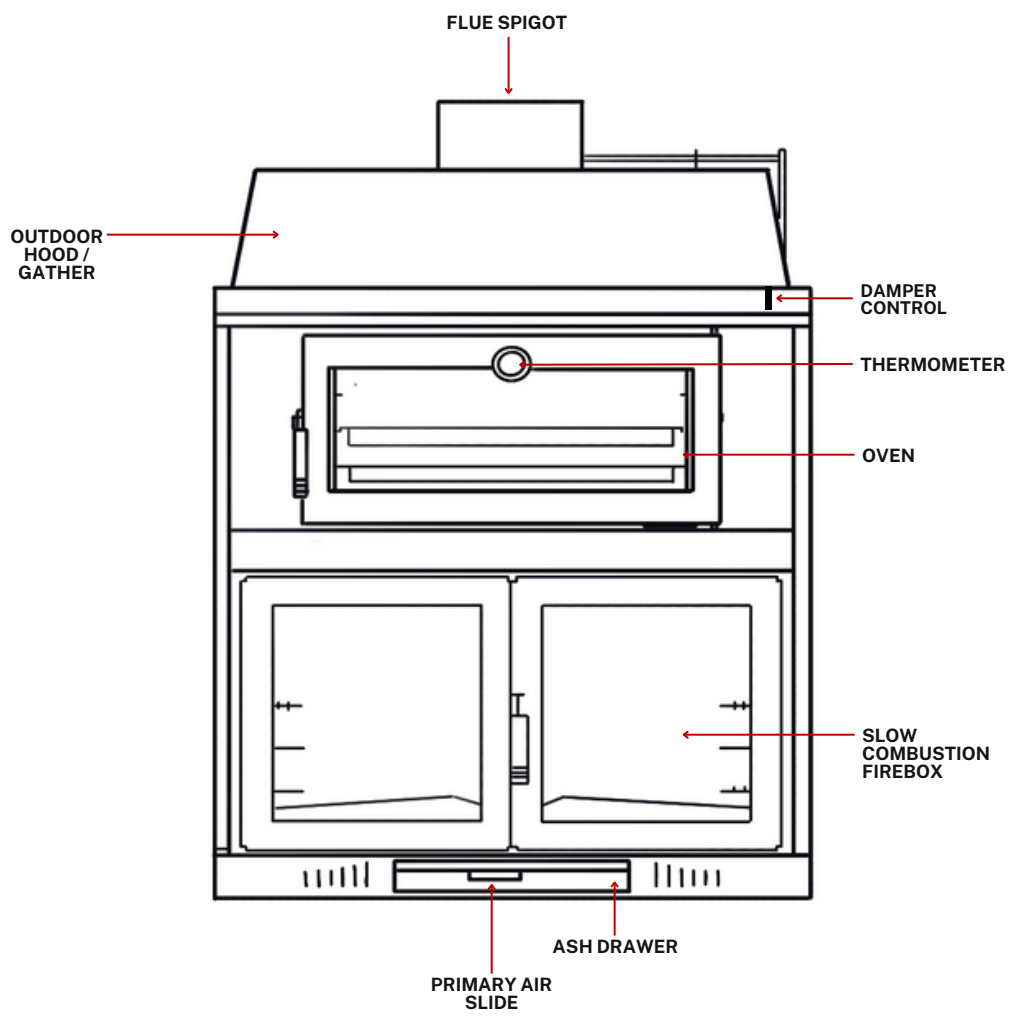
# 1.2 COMPONENTS

BH OVEN SERIES 80



# 1.2 COMPONENTS

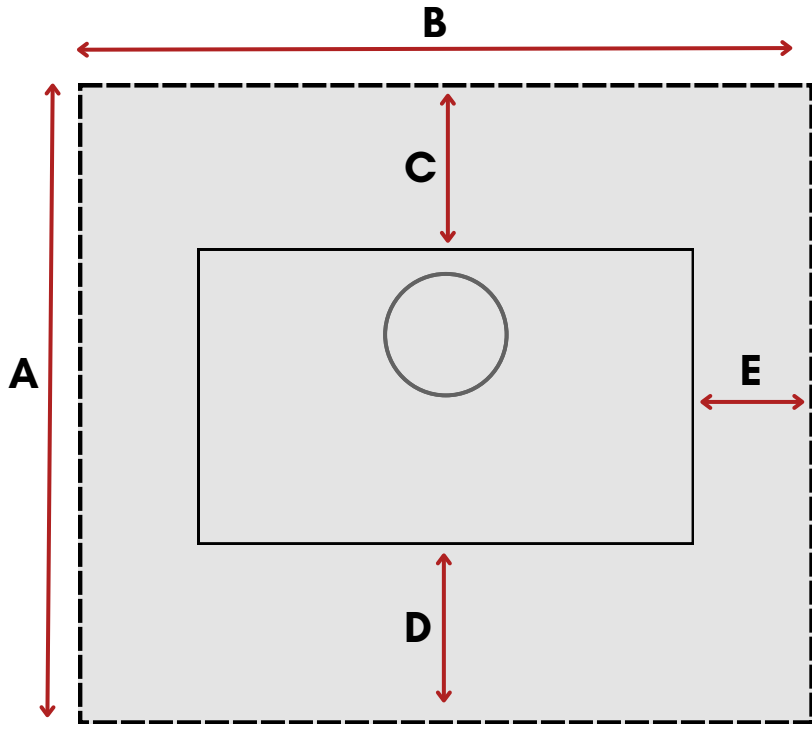
BH OVEN SERIES 100



# 1.3

# HEARTH REQUIREMENTS

BH OVEN SERIES 80 | 100

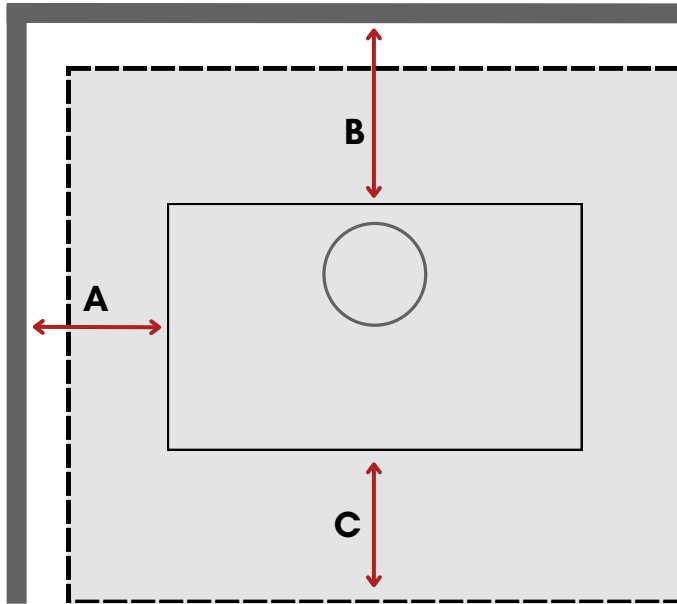


MODEL	A	B	C	D	E	THICKNESS
BH - 80	2500	2810	1000	1000	1000	150
BH - 100	2616	3025	1000	1000	1000	150



# 1.4 CLEARANCES

BH OVEN SERIES 80 | 100



MODEL	A	B	C
BH - 80 OVEN	1500	1500	1500
BH - 100 OVEN	1500	1500	1500

\*Measurements shown above are the minimum clearances to a combustible surface / material

All units **MUST** be installed to Australian & New Zealand Standard AS/NZS 2918:2018. When in use some parts may become hot. A suitable fire guard is recommended where very young, elderly or infirm are concerned.

For the installation and use of this appliance, the fitter and the user should strictly adhere to local and national regulations as well as AS/NZS 2918:2018. They should also comply with the instructions and recommendations detailed in this manual. Safety and operation of the fireplace is directly dependent there on. The liability of the manufacturer can neither be retained nor assured following failure of installation or incorrect use which does not comply local and national regulations as well as AS/NZS 2918:2018.

As each installation is a particular case, a qualified and licensed trades professional should take all required preliminary precautions depending on the technical elements inherent to each job.

All appliances must be installed in a fixed position, within a well ventilated covered outdoor space, ensuring to maintain minimum safety clearance distances.

In-observance of the assembly instructions in conjunction with AS/NZS 2918:2018 entails the liability of the person who carries it out; whom must carry relevant and current licenses to do so.

As a result of faulty assembly, irrational use of parts or additional components that were not supplied by the manufacturer/distributor, and/or modifying of the appliance or components will result in inferior or unsafe operation. Should this occur the manufacturer/distributor bears no liability, and will result in a null and void product warranty.

This instruction manual must be left with the appliance owner, who should retain for future use.

It is strongly recommended that the licensed trade professional who is performing the installation of this appliance, completely read and understand all instructions in this manual prior to proceeding. Artis Fireplaces Pty Ltd & Fm Calefaccion reserves the right to change these specifications without prior notice. The order of these steps are a recommendation only.

For reasons of quality control, some of our appliances are delivered assembled. Parts including gather, firebricks, grill and baffle plate may need to be installed on site.

## **EXPOSURE TO ELEMENTS**

FM Calefaccion barbeques are exclusively designed as a covered outdoor barbeque, oven and fireplace appliances, should any part of the appliance be in contact with the outside elements including rain, snow, direct sunlight, excessive winds, etc; the damage sustained thereon will not be covered under the manufacturer or distributor warranty. Please consider prior to installing your fireplace exposed to outside elements.

## **ACCEPTABLE VARIANCE ALLOWANCE**

Due to the production of these manufactured appliances, there is an acceptable allowance of 1-5mm variance on any part of the unit. This variance in production is non-claimable under any warranties.

## **HEAT RESISTANT MATERIALS**

Heat resistant materials must meet AS/NZS 2918:2018 clause 1.4.27 a material with an allowable service temperature of 600° Celsius or greater. Gyprock Fyrecheck is NOT a recommended heat resistant material.

It is strictly forbidden to use any combustible materials (ie: wooden framing, plaster, etc) near or around this appliance. Any exception from this rule is a health and safety hazard which will result in a non-compliant installation and a void of warranties.

Electrical cables and components must not be placed in the vicinity of the appliance, as it is a fire hazard.

## **IMPORTANT UNIT PRE-CHECK**

Prior to unpacking and installation check that the appliance and all its components has not been damaged during transport. Ensure to check the glass, the door(s), the damper operation and the door locking mechanism.

It is the users duty to make themselves aware of and apply all national or more restrictive local standards and national regulations (AS/NZS 2918:2018).

# 2.1 INSTALLATION

INBUILT

**1**

## **BASE**

Lay a solid non-combustible base, minimum 100mm thick. The base should be laid on an adequate ground supporting its weight. Ensure the base is level.

**2**

## **REAR WALL**

Using solid non-combustible material (ie bricks), construct the rear wall from the base to the top of the ceiling. Ensure there is a 300mm air gap from the rear of the unit.

**3**

## **POSITIONING**

Place the unit into a fixed position on top of the base. For ease of operation, it is recommended to raise the unit a minimum of 500mm from the base

**4**

## **FLUE - FIRST LENGTH**

Place the first single skin length of flue (with no crimp ends) around the outside of the spigot. You may also use a heat resistance sealant (i.e. Firecork) to seal any air gaps.

**5**

## **SIDE WALLS**

Using non-combustible materials, construct walls on either side of the unit. Ensure to leave 300mm on both sides of the unit.

### 6

#### VENTILATION

If the cavity is closed in at the top, ventilation is required to assist with air circulation and ensure no negative pressure occurs.

Ventilation openings must be no less than 10,000mm<sup>2</sup>, at both the top and bottom of the cavity. Openings must be weather and vermin proof.

### 7

#### FLUE - INSTALLATION

Continue with double skin flue into the roof cavity and extended above the roof line as per AS/NZ 2918:2018. A minimum of 4m total flue is required from the top of the flue spigot, to the cowl.

There must be a minimum of 50mm clearance around the outer triple skin flue to combustible materials.

The flue must extend a minimum of 1m above the roof line and have a 3m diameter clearance from the top of the cowl to any objects in a horizontal direction.

#### IMPORTANT

Please note the flue should not include more than two 45° bends. The angle of these bends cannot exceed more than 45° and can have no more than one length of 900mm flue between them.

### 8

#### FLUE - BRACING

Fix the flue in place and attach cowl. If the area is high wind, ensure to fix the flue above the roof line with heavy duty bracing/ supports.

**9**

### FRONT WALL

The front of the enclosure can now be fitted with non-combustible material.

It is recommended an air gap allowance of 10mm is provided in front of the appliance, to allow for unit expansion

**10**

### CAVITY CAPPING

Weatherproof the cavity top by fitting cavity capping.. This must be built either 5mm thick steel plate or 12mm thick heat-resistant material.

**11**

### HEARTH

Install hearth as per required dimensions (see page 17).

The hearth must be constructed from solid non-combustible material and must extend 1000mm in any direction of the appliance, and have a thickness of 150mm.

# 2.3 INSTALLATION

## INBUILT - CHECKLIST

All installation steps have been read, understood and followed. Installation has been completed as per local regulations and industry standard AS/NZS 2918:2018

All components are present (refer to page 7)

All moveable components (ie- door, flue damper control & air slides) are operational and move freely without obstruction

No combustible materials left inside any section of unit, or within combustible clearance area (refer to page 9)

Smoke test has been performed and passed

Operational Instructions given to customer and explained

Installed

By:

-----

Date:

-----

Unit Model:

-----

Serial Number

-----

Certificate Of  
Compliance:

-----

ITEM	DURATION
BBQ Firebox	5 year Repair or Replacement only on Firebox
Fireplace Firebox	5 year Repair or Replacement only on Firebox
Ash Pan, Door Handles, Fire Grates	1 Year Replacement
Paella Support, Grills	1 Month Replacement

\*Effective from date of purchase

#### WARRANTY CLAIM REQUIREMENTS

- Proof Of Purchase
- Serial Number
- Photos Of Fault
- Compliance Certificate
- Installation Details (Date & Installer)

#### EXCLUSIONS:

- Consumable Components (Glass, Firebricks, Thermometer, Ropes, Gaskets, Door Seal, Moveable Parts, Ash Pan etc.)
- Cost of Removal / Installation of defective appliance
- Incorrect use (ie- Overfiring, Improper Materials)
- Incorrect Installation (ie- Non-Compliant application, non-professional) - as per instructions, industry standard Australian & New Zealand Standards AS/NZS 2918:2018, AS/ NZS 4012/4013(2014) and all applicable local installation regulations
- Rust / Corrosion damage caused by environmental factors
- Faults due to improper / irregular maintenance
- Modifications made to any part of appliance which is not provided by manufacturer (Fm Calefaccion) or supplier (Artis Fireplaces Pty Ltd)
- Indirect damages (ie- handling accident)
- Resold units



This manual is at times updated, to view the latest version please refer to the Support section of the Artis Fireplaces website ([artisfireplaces.com.au](http://artisfireplaces.com.au)).

All dimensions shown are approximate. Check all dimensions accurately prior to installation.

All images and diagrams in this manual are for installation reference purposes only and are not to scale or precise. Check all dimensions prior to installation.

In line with our policy of continuous improvement, we reserve the right to alter this manual and anything described within it without notice. The distributor and manufacturer bears no accuracy of these images and accepts no liability. The purpose of these images and diagrams is to act as a guide in conjunction with the written components and are NOT to instruct independently.

Whilst every effort is taken to avoid errors, Artis Fireplaces Pty Ltd and the manufacturer cannot accept responsibility for the accuracy of any statement, extract or information contained within this manual nor can any of its contributors who have submitted material for inclusion. E&OE



**ARTIS<sup>TM</sup>**

[info@artisfireplaces.com.au](mailto:info@artisfireplaces.com.au)

[artisfireplaces.com.au](http://artisfireplaces.com.au)

02.2024