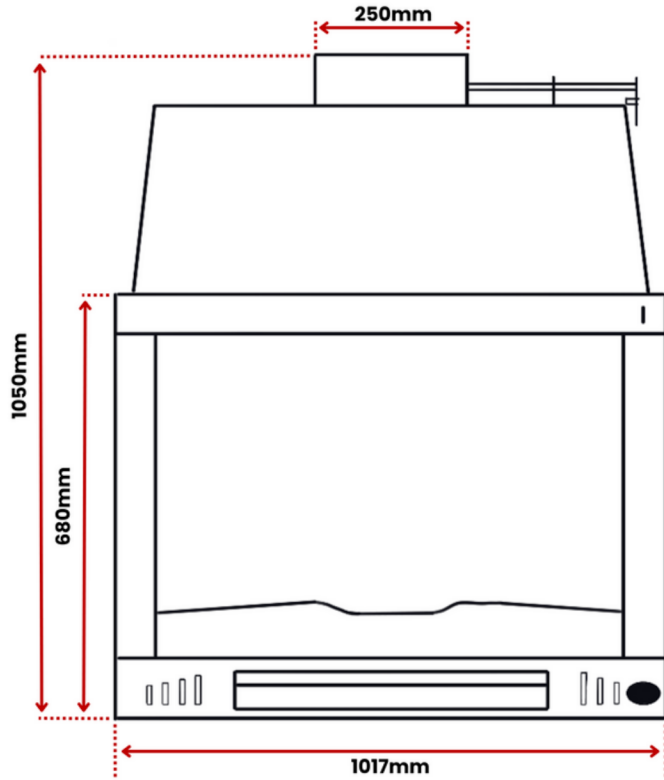




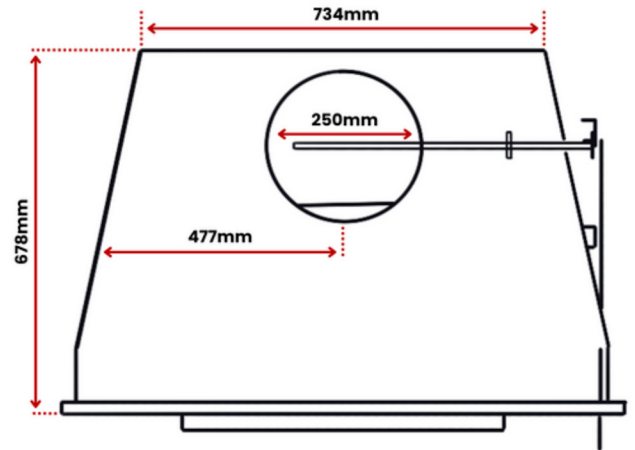
Upgrade your outdoor living with a masterpiece of form and function, the BH 100 transforms from an open fireplace to a BBQ in an instant.

Handcrafted in Spain with high-quality materials, this versatile outdoor appliance is built to withstand the test of time.

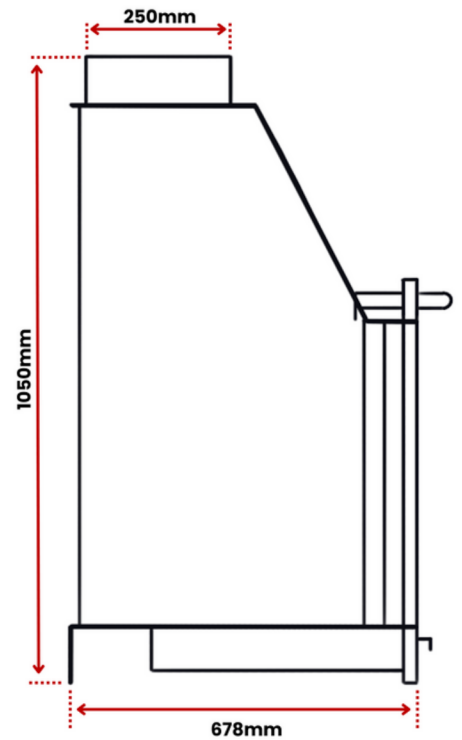
FRONT



TOP



SIDE



MATERIAL	High Quality Welded Steel
AIRFLOW	Dual airflow control (top damper & bottom air slide)
FINISH	Black High Temperature Paint
WEIGHT	95kg
INCLUSIONS	Removable Ash Tray Drawer Stainless Steel BBQ Grill Additional Paint Can Heat Resistant Glove